

## COAXIAL FIXED TERMINATION

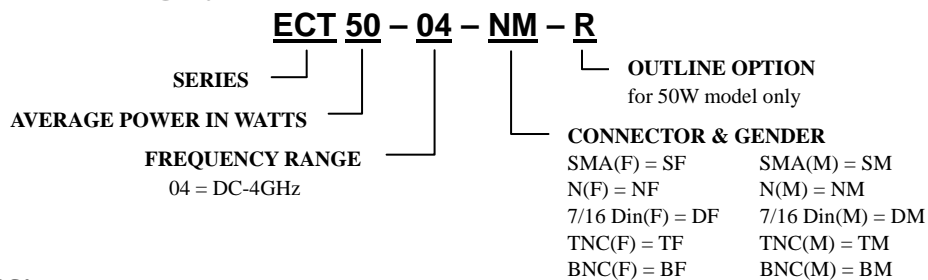
### Features:



Termination Type:	Coaxial Fixed
Average Power:	1W to 800W
Peak Power:	0.25kW to 10kW (5μs)
Frequency Range:	DC-4GHz (Wideband Model Available)
Characteristic Impedance:	50Ω
Connectors:	N, SMA, TNC, BNC, 7/16
Temperature Range:	- 55°C to + 125°C
Humidity:	Moisture Sealed Model Available

The ECT series is a family of coaxial terminations ideally suited for use as dummy loads in antenna and transmitter systems. The terminations can handle average power in the range 1W to 800W operating from DC – 4GHz with low VSWR. Moisture sealed and wideband models are available upon request.

### Part Number Modeling System:



### Specifications:

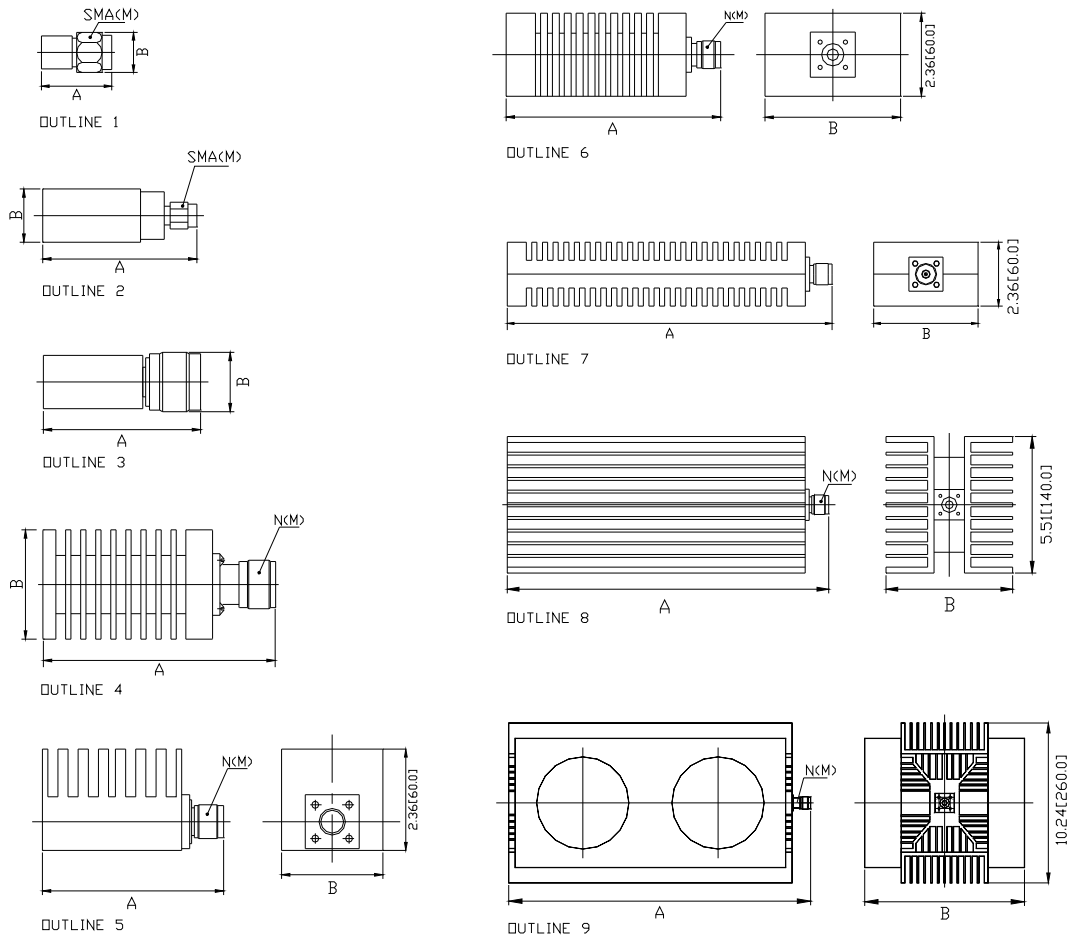
Series	VSWR [max] at 4GHz	Power (W)	
		Average	Peak
ECT1	1.20	1	0.25k
ECT2	1.25	2	0.5k
ECT5	1.20	5	0.5k
ECT10	1.25	10	1.0k
ECT25	1.25	25	1.0k
ECT30	1.25	30	1.0k
ECT50 -R	1.20	50	1.0k
ECT50	1.20	50	10.0k
ECT80	1.25	80	10.0k
ECT100	1.25	100	10.0k
ECT150	1.30	150	10.0k
ECT200	1.35	200	10.0k
ECT250	1.35	250	10.0k
ECT300	1.40	300	10.0k
ECT400	1.45	400	10.0k
ECT500	1.40	500	10.0k
ECT800	1.45	800	10.0k

Specifications subject to change without notice

3048 SCOTT BOULEVARD, SANTA CLARA CA95054

TEL.NO.: 1-408-727 7127 • FAX NO.: 1-408-727 0827 • www.epxmrowave.com

AUG 2009

**Outline:**


Series	A Inches[mm]	B Inches[mm]	Weight	Outline	Connector
ECT1	0.63[16.0]	0.35[9.0]	5g	1	SMA
ECT2	2.05[52.0]	0.71[18.0]	35g	2	SMA
ECT2	2.09[53.0]	0.79[20.0]	50g	3	N, TNC, BNC
ECT5	2.05[52.0]	0.71[18.0]	35g	2	SMA
ECT5	2.09[53.0]	0.79[20.0]	50g	3	N, TNC, BNC
ECT10	2.68[68.0]	1.50[38.0]	110g	4	N, SMA, TNC, BNC, 7/16
ECT25	3.78[96.0]	1.77[45.0]	210g	4	N, SMA, TNC, BNC, 7/16
ECT30	4.09[104.0]	1.89[48.0]	250g	4	N, SMA, TNC, BNC, 7/16
ECT50 -R	5.00[127.0]	1.97[50.0]	500g	4	N, 7/16
ECT50	4.25[108.0]	2.36[60.0]	600g	5	N, SMA, TNC, BNC, 7/16
ECT80	6.10[155.0]	3.86[98.0]	1800g	6	N, TNC, BNC, 7/16
ECT100	7.19[208.0]	3.15[80.0]	1800g	5	N, 7/16
ECT150	7.19[208.0]	3.15[80.0]	1800g	5	N, 7/16
ECT200	9.65[245.0]	3.86[98.0]	2700g	5	N, 7/16
ECT250	9.65[245.0]	3.86[98.0]	2700g	5	N, 7/16
ECT300	12.01[305.0]	3.86[98.0]	3750g	7	N, 7/16
ECT400	12.99[330.0]	5.20[132.0]	7000g	8	N, 7/16
ECT500	16.30[414.0]	5.20[132.0]	9300g	8	N, 7/16
ECT800	19.09[485.0]	10.24[260.0]	23.0kg	9	N, 7/16

Specifications subject to change without notice

3048 SCOTT BOULEVARD, SANTA CLARA CA95054

TEL.NO.: 1-408-727 7127 • FAX NO.: 1-408-727 0827 • www.epxmwave.com

AUG 2009